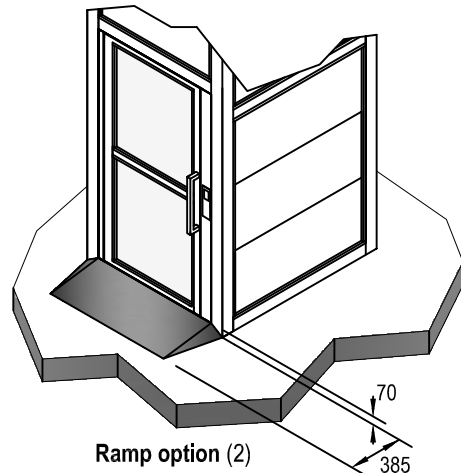


Waiver:
 This data sheet is for guidance only & must not be used for proper working drawings. Please contact Stannah Lifts for particular details before proceeding. Owing to our policy of continual improvement, we reserve the right to alter specifications & dimensions without prior notice.

Stannah Midilift SL

Technical data sheet for lifts with a 1/2 height gate at the upper most floor (max. travel 3m, 400kg capacity)

For lifts with a full height door at the upper most floor please refer to data sheet SL 801



Notes:

All dimensions in mm unless stated

(1) Adjacent entry only available on 1100 x 1400 platform

(2) If pit cannot be formed a ramp is available as an optional extra

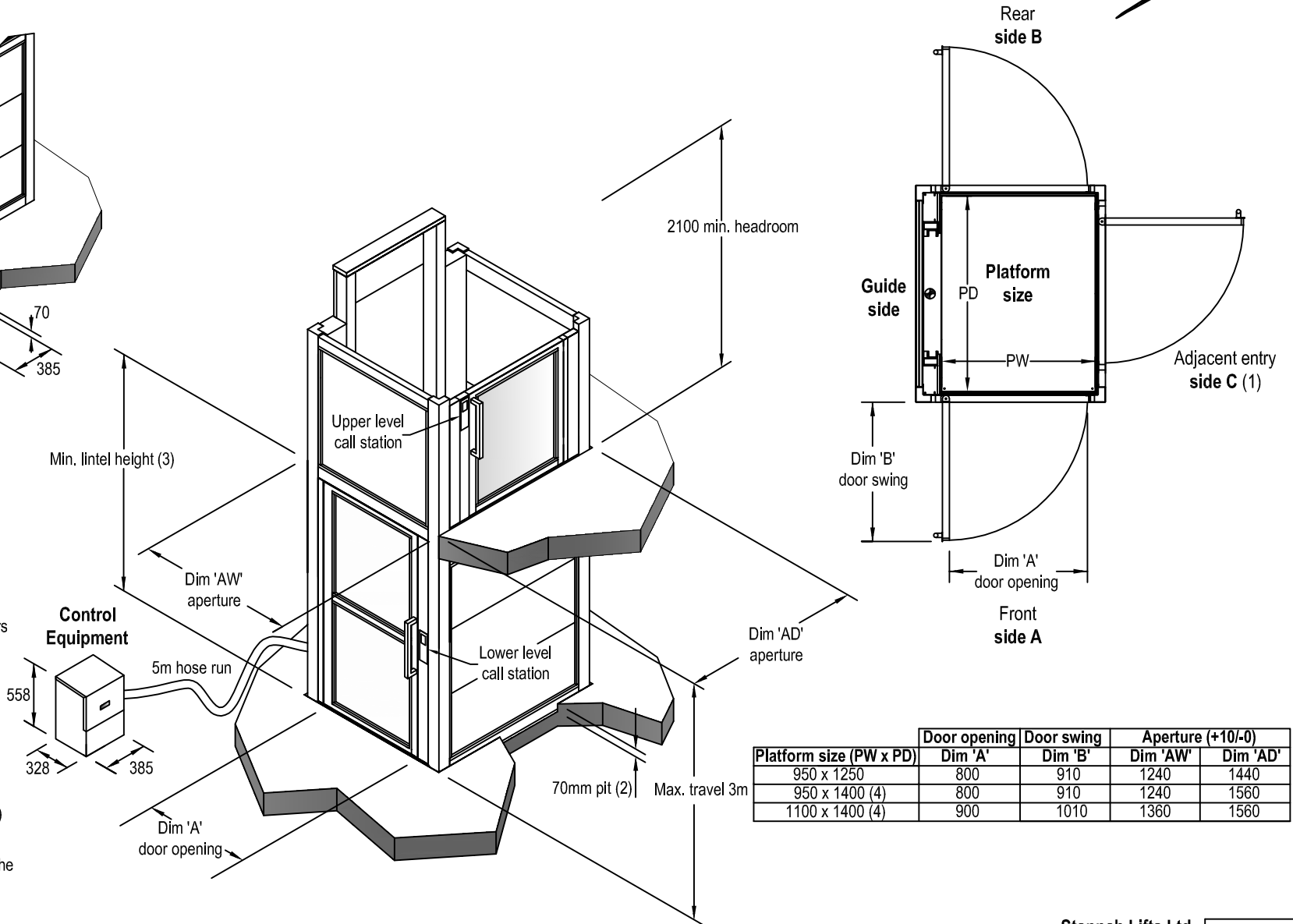
(3) Min. lintel height required for standard door closers = 2150mm. Min. lintel height for a powered fire door closer = 2250mm (add 70mm to either dim if ramp option is being used - this applies only to the lower floor)

(4) Part M (England & Wales) and section 4.2 of the Technical Handbook (Scotland) compliant

Power supply to be dedicated 240VAC single phase, terminating in a 13A switch spur and RCD (by others)

Fixings: The lift is fixed to the floor at the base of the enclosure. Fixings are also required at other points, the exact location depends on travel and configuration. Please contact us to discuss further.

Control Equipment: The drive unit and electrical control equipment are housed in a separate enclosure, which should be wall mounted and can be located up to 5m (hose run) away from the base of the lift (guide side)



Platform size (PW x PD)	Door opening		Door swing		Aperture (+10/-0)	
	Dim 'A'	Dim 'B'	Dim 'AW'	Dim 'AD'	Dim 'AW'	Dim 'AD'
950 x 1250	800	910	1240	1440		
950 x 1400 (4)	800	910	1240	1560		
1100 x 1400 (4)	900	1010	1360	1560		

Stannah Lifts Ltd.
 Anton Mill, Andover, Hampshire, SP10 2NX
Tel: 01264 339090
www.stannahlifts.co.uk/platformlifts

Information sheet SL 802 09.07.09
