

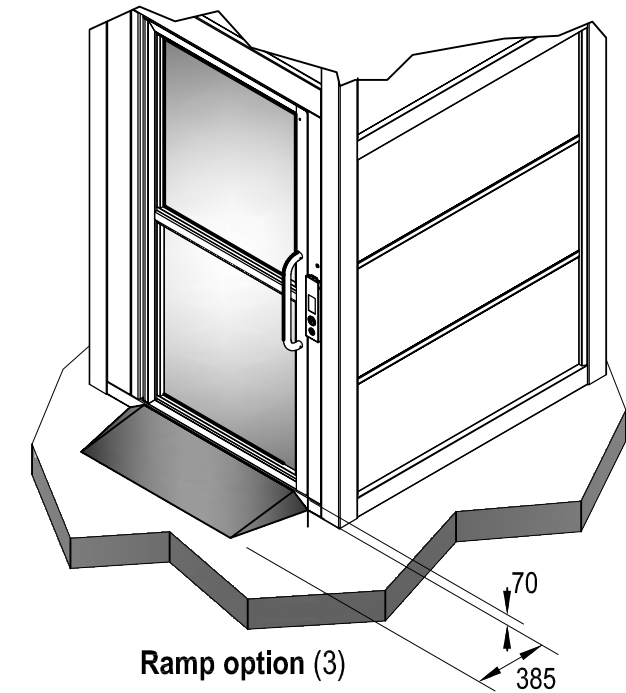
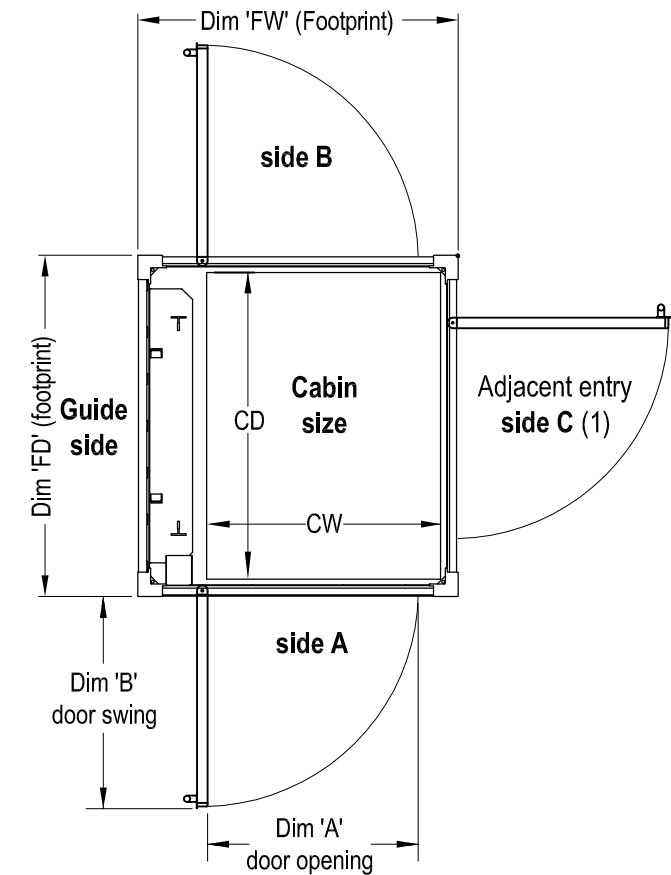
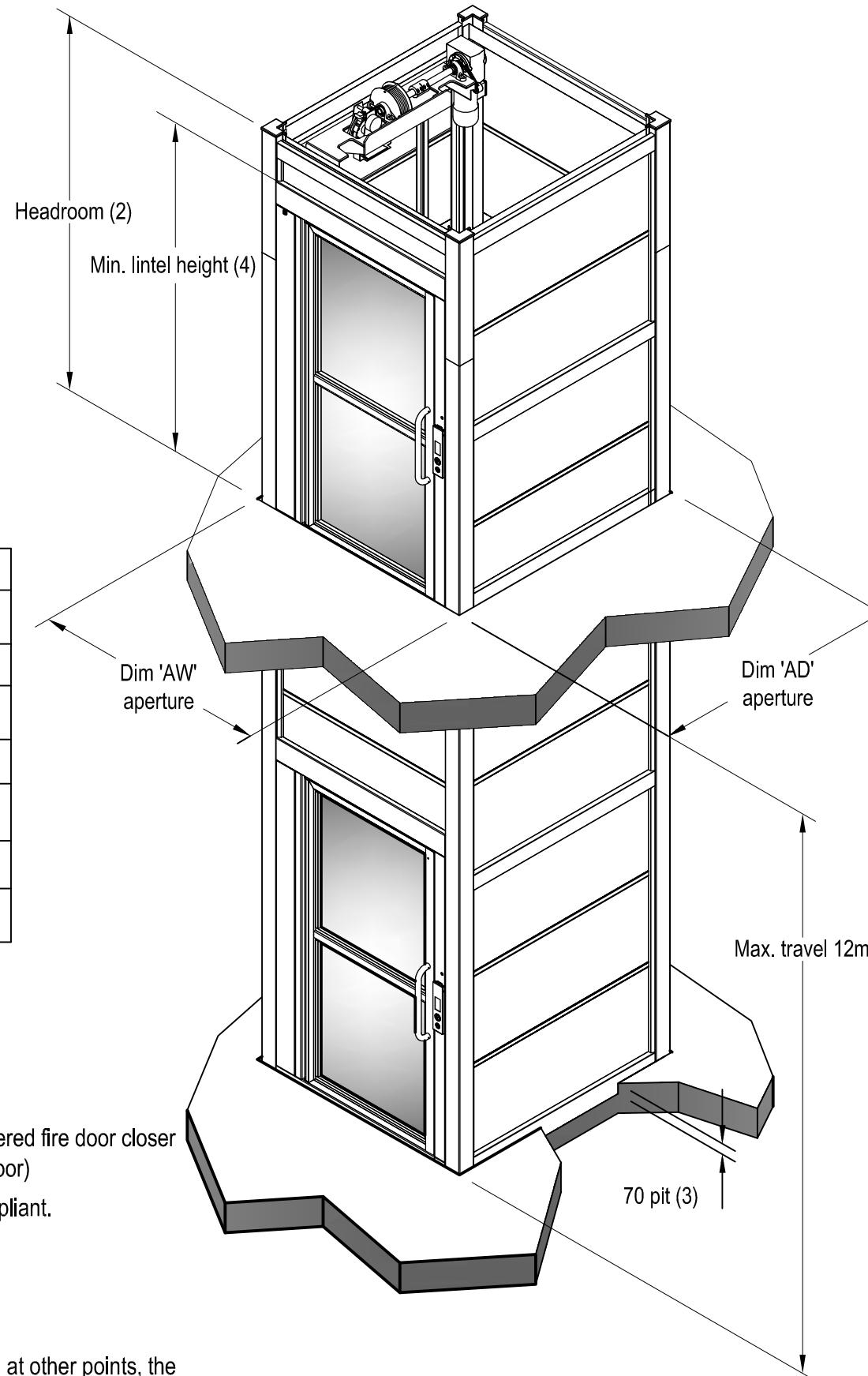
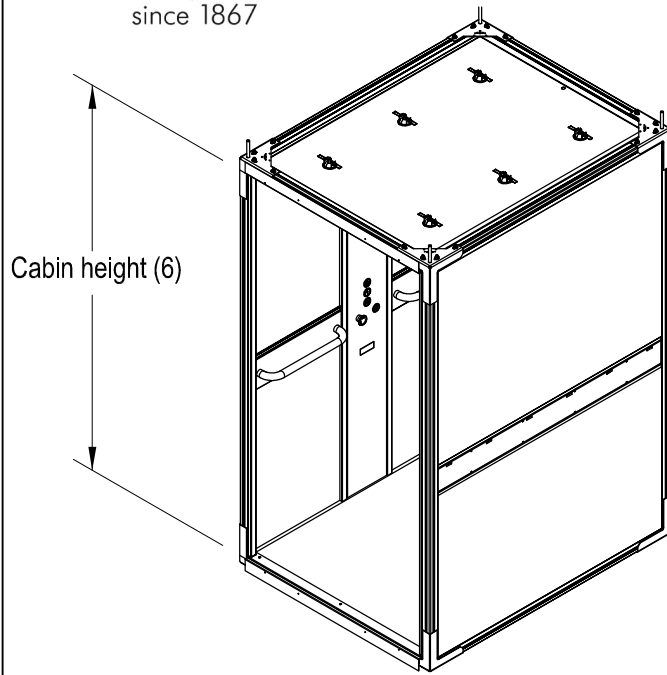


An independent family business since 1867

Midilift XLplus

Vertical platform lift with traction drive and cabin
max. travel 12m, 400kg capacity

Stannah



Cabin options (7)

Cabin size (CW x CD)	Dim 'CW'	Dim 'CD'
	1100	1400
Footprint (FW x FD)	Dim 'FW'	Dim 'FD'
	1510	1600
Aperture (+10/-0) (AW x AD)	Dim 'AW'	Dim 'AD'
	1560	1650
Door opening/swing (A/B)	Dim 'A'	Dim 'B'
	900	1010

Notes:

All dimensions in mm unless stated

Maximum number of stops = 6

Maximum travel = 12m

Rated speed = 0.15m/s

Latched call controls as standard.

2500 minimum floor to floor is required for entrances above each other on the same side.

(1) Adjacent entry only available at lower or intermediate floors.

(2) Headroom of 2500 is required at the upper level (same for all travels).

(3) If pit cannot be formed a ramp is available as an optional extra

(4) Min. lintel height required for standard door closers = 2150 Min. lintel height for a powered fire door closer = 2250 (add 70 to either dim if ramp option is being used - this applies only to the lower floor)

(5) Part M (England & Wales) and Section 4.2 of the Technical Handbook (Scotland) compliant.

(6) Internal height of cabin enclosure = 2m

(7) Range of cabin finishes available, Please contact us for further information.

Lift requires a dedicated 230VAC single phase supply fused at 13Amps.

Fixings: The lift is fixed to the floor at the base of the enclosure. Fixings are also required at other points, the exact location depends on travel and configuration. Please contact us to discuss further.

Control Equipment: The drive unit and electrical control equipment are housed within the lift shaft at the upper floor landing

Waiver

This data sheet is for guidance only & must not be used for proper working drawings. Please contact Stannah Lifts for particular details before proceeding. Owing to our policy of continual improvement, we reserve the right to alter specifications & dimensions without prior notice.

Anton Mill, Andover, Hampshire, SP10 2NX

Stannah Lifts Ltd.

Tel: 01264 339090

www.stannahlifts.co.uk

Information sheet

XL 801

24.03.11